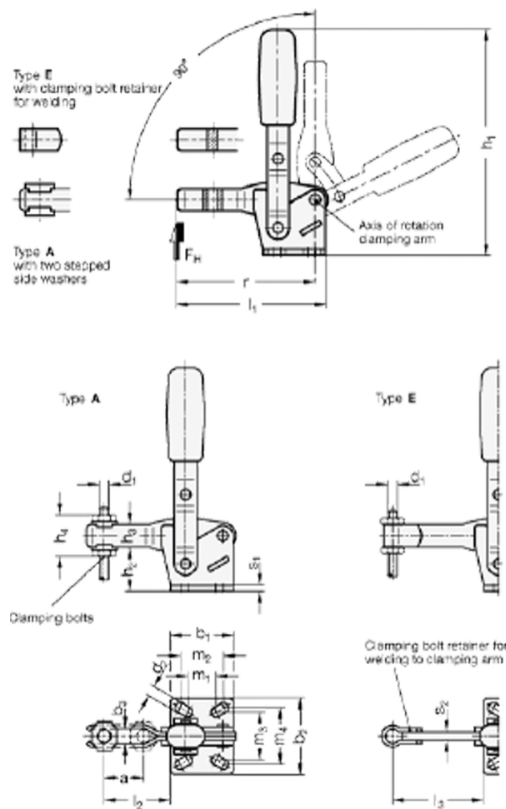


Article number: 20810130ANI

Description: E+G Klee vertical clamp, stainless steel
GN 810-130-A-NI

Measures



a = 28	h3 = 16	m4 = 29
b1 = 35	h4 = 26.5	r = 79.5
b2 = 42	Holding force N = 1600	s1 = 2.5
b3 = 6.5	l1 = 85	Size = 130
d1 = M6	l2 = 42	
d2 = 5.5	m1 = 12.5	
h1 = 142	m2 = 19	
h2 = 28	m3 = 27	